

GP Batteries

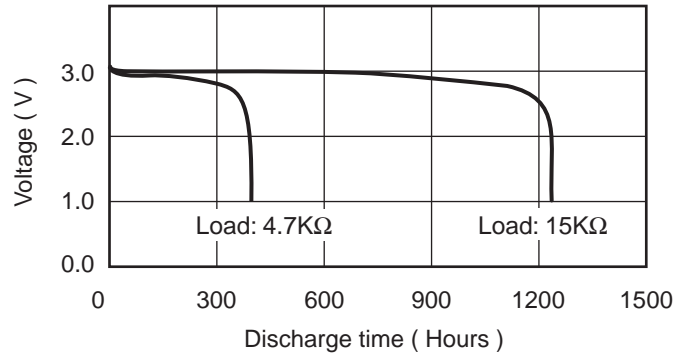
Data Sheet

Model No.: CR2032

Description : Flat Lithium Battery
 Chemical system : Lithium Manganese Dioxide
 Nominal voltage : 3 Volts
 Nominal capacity : 210mAh
 Dimensions : $\varnothing 20.0 \times 3.2$ mm
 Shelf life : 5 years at room temperature
 Average weight : 3.0 grams
 Applications : Computer memory back up, photo

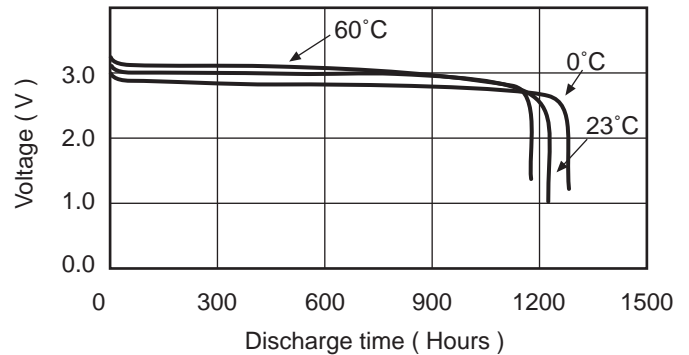
Discharge characteristics on Load

At 23°C



Discharge characteristics on temperature

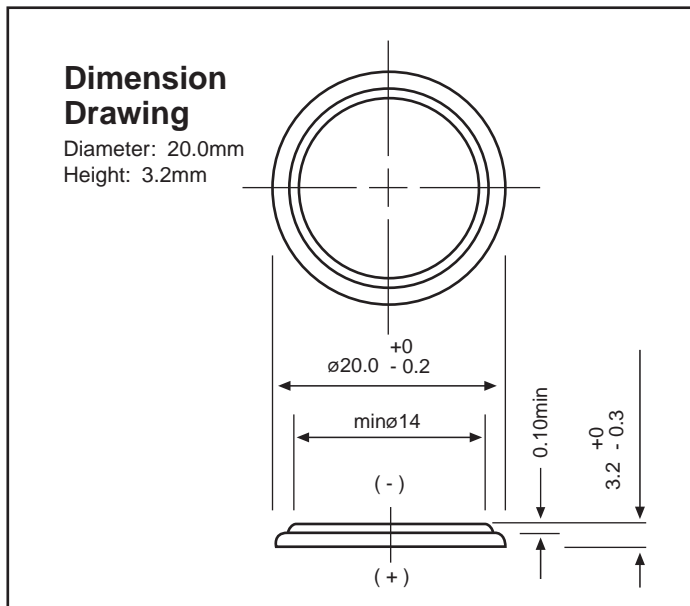
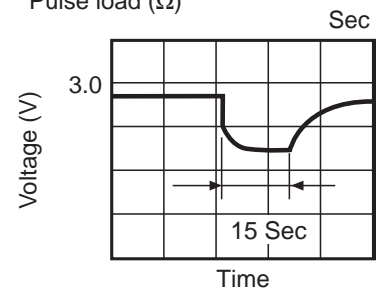
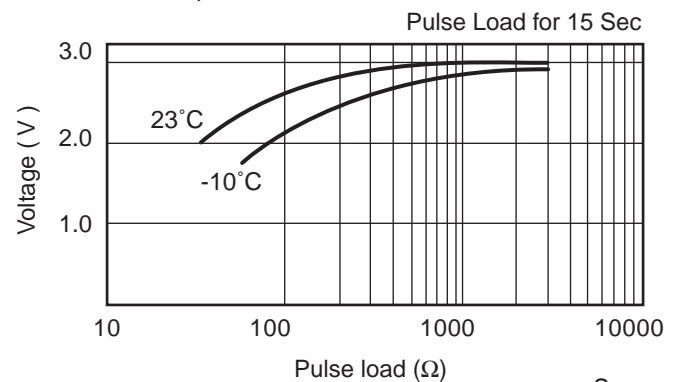
Load: 15kΩ



Discharge characteristics on pulse load

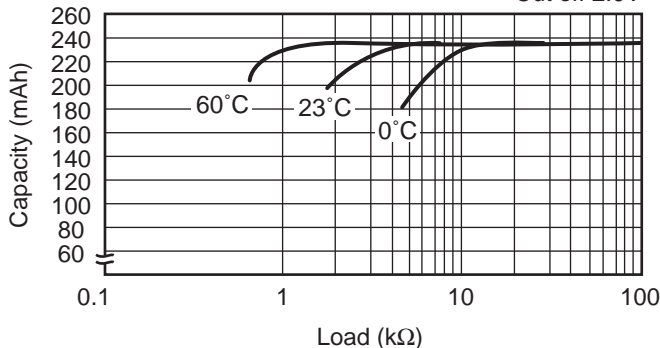
(Discharge depth 40%)

Excellent low-impedance characteristics



Discharge load vs Discharge capacity

Cut off 2.0V



Cross Reference:

IEC	JIS	Eveready	Varta	Duracell
CR2032	CR2032	ECR2032	CR2032	DL2032